

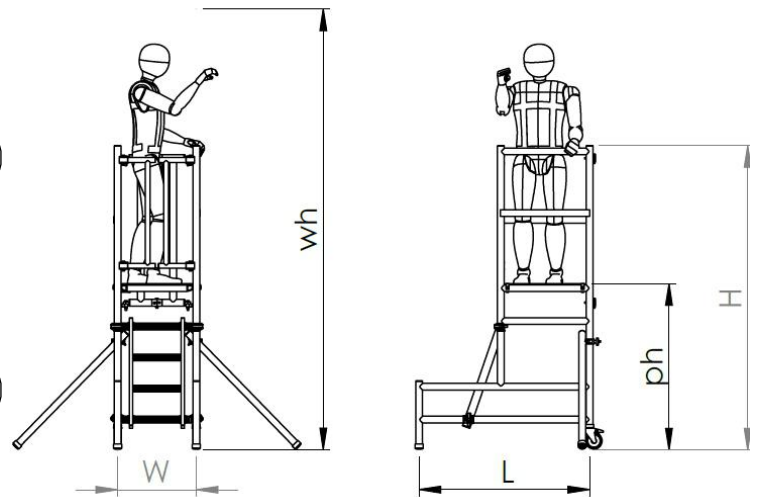
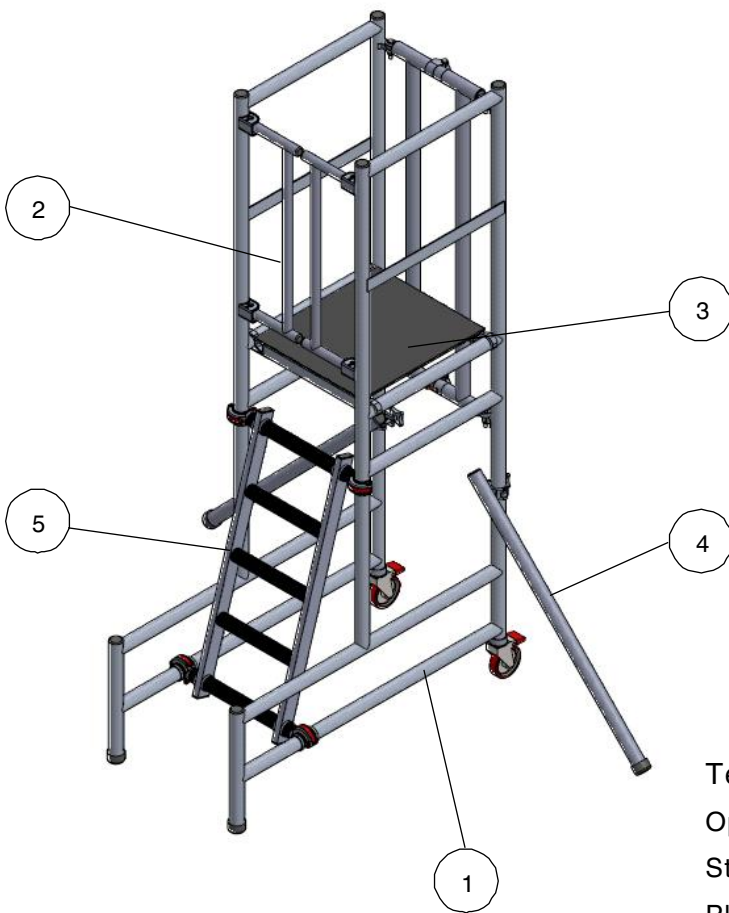
Podium Steps

BS 8620:2016

Width (W)	Length (L)	Working Height (wh)	Tower Height (H)	Platform Height (ph)
0.65m	1.37m	3.5m	2.51m	1.5m

Tower Components

Item	Description	Quantity
1	Podium Mainframe	1
2	Self Closing Gates	1
3	Platform	1
4	Stabilisers	2
5	Ladder	1
6	Instruction Manual	1



Technical information:

Open Dimensions:	(H)2.51 X (L)1.37m X (W)0.65m
Storage Dimensions:	(H)2.51 X (L)1.37m X (W)0.26m
Platform Dimensions:	0.6m X 0.53m
Platform Height (ph):	1.25m 1.5m
Working Height (wh):	3.25m 3.5m
Maximum Working Load:	150kg
Weight:	40kg



Aluminium Scaffold Towers Ltd.

☎ 01353 778811

✉ sales@aluminium-scaffoldtowers.co.uk

🌐 www.aluminium-scaffoldtowers.co.uk